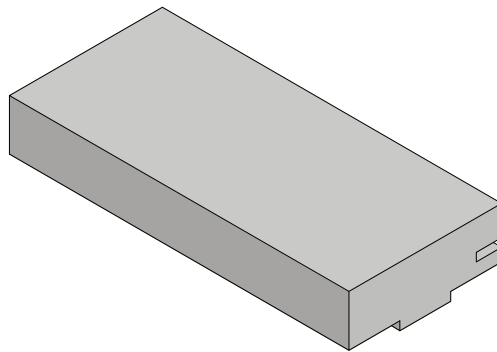


9/16

Placement of groove for weatherstrip may vary based on the weatherstrip. This groove location works for our standard w/s keeping the w/s backset $1/16$ from the face of the door stop.

(w/s groove is cut on the table saw)



Scale :
1 : 1

Part Number :
DS-E-06-A

Style :
Modern

[Back](#)

Description :
Door Stop



HOMESTEAD
WOODWORKS